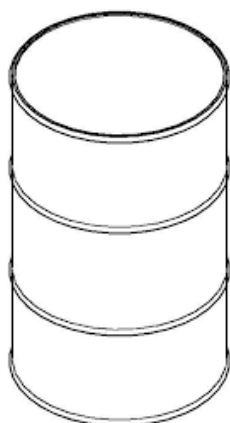
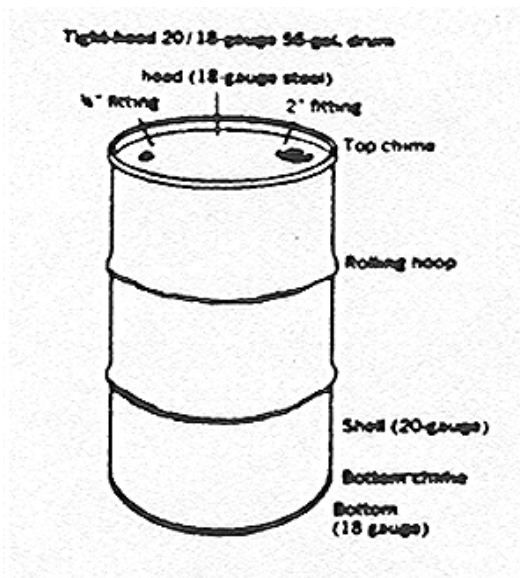


Making 44 Gallon Drums [55 US Gallons]

Data used to make models in 1/24th scale.

Nominal volume of 208 litres (55 US gallons or 46 Imperial gallons)
These are referred to as 44 gallons [net] and
nominally measure just under 880 millimetres (35 inches) tall
with a diameter just under 610 millimetres (24 inches)



12mm diameter wood dowel cut to 30mm lengths, grooves cut to accept 0.9mm wire rings.

Making 44 Gallon Drums [55 US Gallons]

Models in 1/24th scale.



Dowel marked for cut-off and grooves for wire ribs. Each batch of 4 drums fits on a standard Pallet.



Model drums, painted and arrayed on a pallet loaded onto a Flat Wagon for transit along the BTR.

Future models will include a top and bottom 'disc' that overhangs the drum edges to reveal the top and bottom stiffening rings.